

WHELEN

Pioneer Plus™ Series Super-LED® Floodlighting



PIONEER PLUS™ SERIES FLOODLIGHT

Now Pioneer Plus offers twice the brightness in the same size housing as the original Pioneer, and includes all the supporting hardware to meet any application.

- Solid-State electronics and lamp source are proven reliable and durable and eliminate the high cost of lamp or ballast replacements.
- Pioneer Plus Series Super-LED® Floodlights can be flashed for added secondary warning in the “Clearing Right of Way Mode”. Requires optional external flasher PFLASH.
- Pioneer Super-LED floodlights are instant On/Off eliminating the high current in-rush and warm up time associated with other light sources.
- Rugged aluminum housing. A wide range of mounting styles available to choose from, allows for maximum light effectiveness.
- Pioneer Super-LED floodlights do not emit ultraviolet rays that attracts insects during nighttime operation.
- Handle standard on pedestal mount.
- HDP® Heavy-Duty Professional 5 year warranty.
- Available in 12 or 24 volts.
- Available in white or black.

PFP1



PFP2



Models Without Mounting (Lighthouse Only)

Model	Lamp Type	Technology	Housing Color	Volts	AMPS	Usable Lumens	Cable	Size
PFP1	single	Super-LED®	white	12	6.5	5,000	15'	4-5/8" (118mm) H x 3" (76mm) D x 8" (203mm) W
PFP2	dual				13	10,000		4-5/8" (118mm) H x 3" (76mm) D x 14" (356mm) W
PFP14	single			24	3.25	5,000		4-5/8" (118mm) H x 3" (76mm) D x 8" (203mm) W
PFP24	dual				6.5	10,000		4-5/8" (118mm) H x 3" (76mm) D x 14" (356mm) W
PFP1B	single		black	12	6.5	5,000		4-5/8" (118mm) H x 3" (76mm) D x 8" (203mm) W
PFP2B	dual				13	10,000		4-5/8" (118mm) H x 3" (76mm) D x 14" (356mm) W

Models for Optional Mounting

Mounting	Lamp	Description	Photos
PBA103	single	Semi-recessed mount with chrome trim ring, housing mounts the floodlights straight out or at 15° downward angle.	A
PBA203	dual		B
PBA0127	single	2-3/4" radius brow mounting brackets, adjustable to 15° downward angle.	C
	dual		D
PBA0130	single	3" radius brow mounting brackets, adjustable to 15° downward angle.	C
	dual		D
PBA106	single	Universal bail bracket tilts up/down, adjustable to 15° downward angle.	E
PBA206	dual		F
PBAPED	single	Pedestal mount bracket tilts up/down, base swivels 360°, includes handle.	G
	dual		H
PFLASH	single or dual	Optional LED flasher with 16 patterns including steady override, including phase 1, 2, 3, and 4.	I

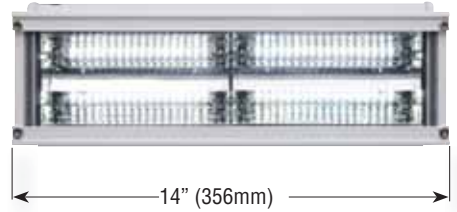
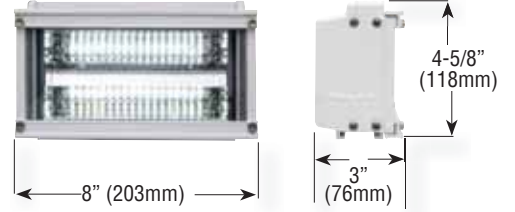


5 Year Heavy-Duty Warranty

RUGGED...RELIABLE...*BRILLIANT!*

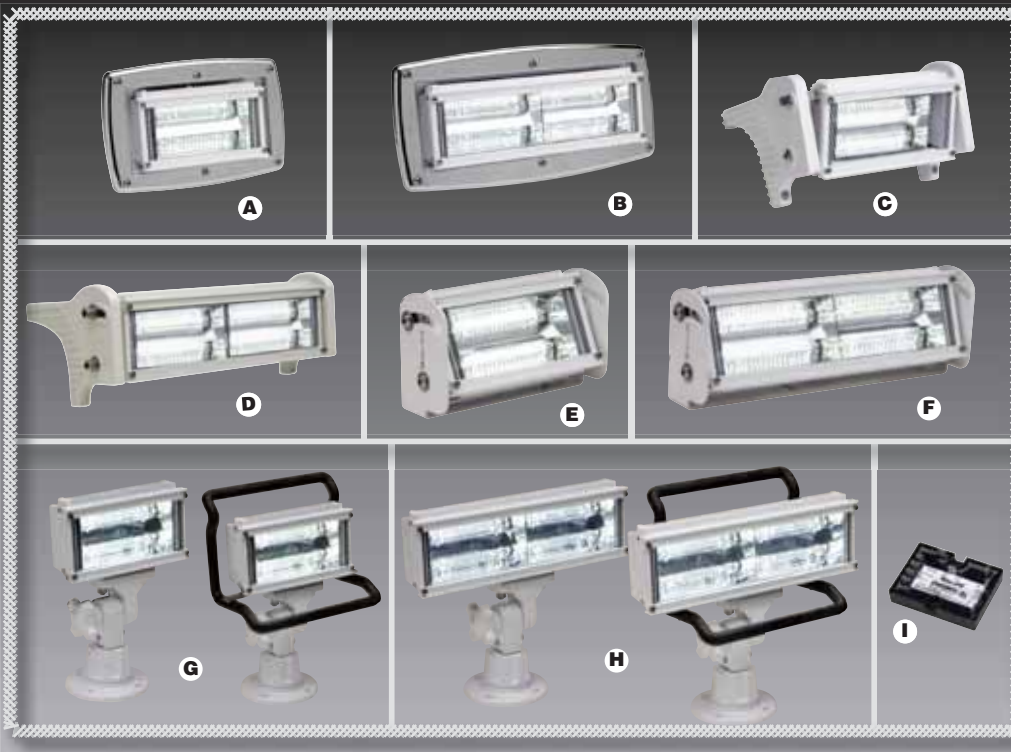


Lighthouse Dimensions



Downward Angle Floodlight

Horizontal Floodlight



NO ULTRA VIOLET RAYS =
NO INSECTS!



Brilliant and reliable

Single or dual lightheads in a rugged aluminum housing produces **NO** ultraviolet rays that attracts insects during night time operations!

WHELEN[®]

ENGINEERING COMPANY, INC.

51 Winthrop Road
Chester, Connecticut 06412-0684
(860) 526-9504 • Fax: (860) 526-4078
www.whelen.com

Engineers for the Emergency Warning Industry

Distributed By:



Whelen Products
are Proudly
Made in America

© 2009 Whelen Engineering Company, Inc. Printed in the U.S.A. 12243C/0609

NASCAR[®] is a registered trademark of the National Association for Stock Car Auto Racing, Inc. Whelen reserves the right to upgrade and improve products without notice.



Pioneer™ Series

Super-LED® Flood Lighting



Pioneer™ Floodlight (patent pending) puts all the performance and reliability of LED technology into a package producing 5000 usable lumens, PFA2 Series and 2500 usable lumens PFA1 Series.



PIONEER™ SERIES FLOODLIGHT

RUGGED... RELIABLE...

- Solid-State electronics and lamp source are proven reliable and durable and eliminate the high cost of lamp or ballast replacements.
- Pioneer Series LED Floodlights can be flashed for added secondary warning in the "Clearing Right of Way Mode". Requires optional external flasher PFLASH.
- Pioneer LED flood lights are instant On/Off eliminating the high current in-rush and warm up time associated with other light sources.
- Rugged aluminum housing. A wide range of mounting styles available to choose from, allows for maximum light effectiveness.
- Pioneer LED flood lights do not emit ultra violet radiation that attracts insects during nighttime operation.
- Low current... PFA2 Series draws only 6 amps, PFA1 Series draws only 3 amps at 12.8 vdc.
- Handle standard on pedestal and pole mount.
- HDP® Heavy-Duty Professional 5 year warranty.
- Available in 12 or 24 volts.

BRILLIANT!

PFA1 LIGHTHEAD



Models Without Mounting (Lighthouse Only)

Model	Lamp Type	Tech-nology	VDC	AMPS	Cable	Size
PFA1	single	Super-LED®	12	3	6'	4-5/8" (118mm) H x 3" (76mm) D x 8" (203mm) W
PFA2	dual			6		4-5/8" (118mm) H x 3" (76mm) D x 14" (356mm) W
PFA14	single		24	1.5		4-5/8" (118mm) H x 3" (76mm) D x 8" (203mm) W
PFA24	dual			3		4-5/8" (118mm) H x 3" (76mm) D x 14" (356mm) W

Models for Optional Mounting

Model	Lamp	Description	Photos
PBA103	single	Semi-recessed mount with chrome trim ring, housing mounts the floodlights straight out or at 15° fixed angle.	A
PBA203	dual		B
PBA0127	single	2-3/4" radius brow mounting brackets, adjustable to 15° downward angle.	C
	dual		D
PBA0130	single	3" radius brow mounting brackets, adjustable to 15° downward angle.	C
	dual		D
PBA106	single	Universal bail bracket tilts up/down, adjustable to 15° downward angle.	E
PBA206	dual		F
PBAPED	single	Pedestal mount bracket tilts up/down, base swivels 360°, includes handle.	G
	dual		H
PFLASH	single or dual	Optional LED flasher with 16 patterns including steady override, including phase 1, 2, 3, and 4.	I

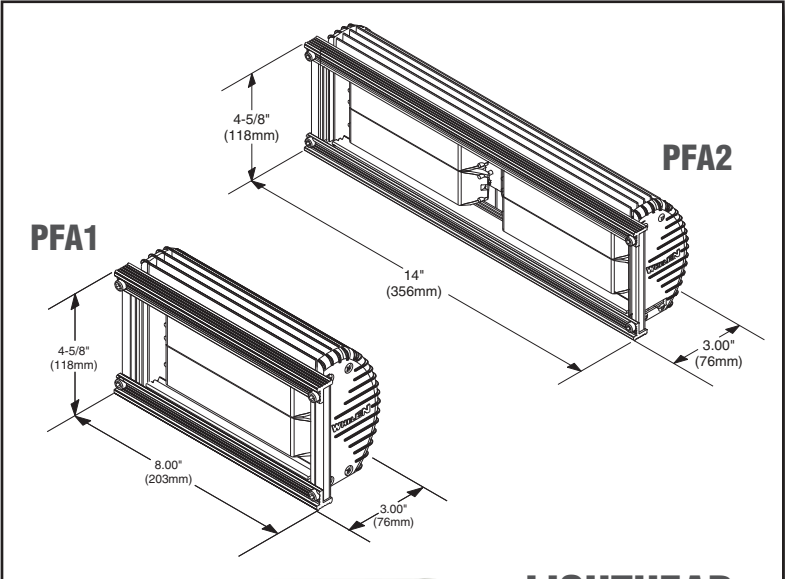
**NO ULTRA VIOLET
RADIATION =
NO INSECTS!**



Brilliant and reliable

Single or dual lightheads in a rugged aluminum housing produces **NO** ultra violet radiation that attracts insects during night time operations!

PFA2 LIGHTHEAD



**LIGHTHEAD
DIMENSIONS**



<p>A</p>	<p>B</p>	<p>C</p>	<p>D</p>
<p>E</p>	<p>F</p>	<p>G</p>	<p>H</p>
<p>I</p>	<div style="display: flex; align-items: center; justify-content: center;">  <p>5 Year HDP® Heavy-Duty Professional Warranty</p> </div>		



WHELEN[®]

ENGINEERING COMPANY, INC.

Engineers for the Emergency Warning Industry

**51 Winthrop Road
Chester, Connecticut 06412-0684
Phone: (860) 526-9504 • Fax: (860)0526-4078
www.whelen.com**