

# L21 Series

## SUPER-LED® 360° BEACONS

Utilizing new Broadband Energy Radiator™ Technology (patent pending)



Officially Licensed  
Warning Lights of  
NASCAR®



**L21 Series Beacons are certified SAE Class 1. Utilizing new Broadband Energy Radiator™ Technology (patent pending), these solid-state beacons resemble traditional strobe beacons but with greater light output and lower amp draw. Best of all, the Super-LED light source has a rated life that exceeds that of comparable flash tubes by more than 50:1.**

### FEATURES

- Certified SAE Class J845 Class 1 360° (amber).
- 50,000 hour rated life.
- Low current draw: 1.5 Amp (peak), 0.6 Amp (average) @ 12.8 VDC.
- Combination mounting (pipe/permanent/J-hook) allows universal application.
- SmartLED® beacon design offers 75 SignalAlert™ flashes per minute standard. Permanent mount, features 21 total Scan-Lock™ alternating and simultaneous flash patterns built-in (synchronize with up to 8 total beacons).
- Supplied with 6" pigtail (combination mount) or 10' straight cord with LED indicator switch and cigar plug (magnetic mount only).
- Choice of high or low polycarbonate dome.
- Polycarbonate or cast aluminum base.
- Virtually no EMI radiation.
- Cruise light with 4 intensity levels (permanent mount only).
- Hi/Low mode (permanent mount only).
- Select 12 or 24 VDC.
- Five-year warranty.

**Note:** Magnetic mount models do not offer Scan-Lock, cruise light, low power or SYNC functions.

**Note:** The use of any magnetic mounted warning beacon on the vehicle while in motion, is at the discretion and risk of the user.

### MODELS

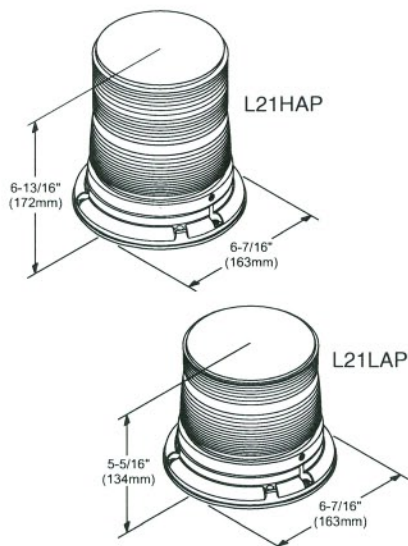
- L21H\*P:** 12 VDC, perm/pipe/"J" hook mount, high dome
- L21H\*M:** 12 VDC, magnetic mount with 10' cord with LED indicator switch, high dome
- L21H\*V:** 12 VDC, magnetic-suction mount with 10' cord with LED indicator switch, high dome
- L21H\*P4:** 24 VDC, perm/pipe/"J" hook mount, high dome
- L21H\*M4:** 24 VDC, magnetic mount with 10' cord with LED indicator switch, high dome
- L21L\*P:** 12 VDC, perm/pipe/"J" hook mount, low dome
- L21L\*M:** 12 VDC, magnetic mount with 10' cord with LED indicator switch, low dome
- L21L\*V:** 12 VDC, magnetic-suction mount with 10' cord with LED indicator switch, low dome
- L21L\*P4:** 24 VDC, perm/pipe/"J" hook mount, low dome
- L21L\*M4:** 24 VDC, magnetic mount with 10' cord with LED indicator switch, low dome
- L21H\*C:** 12 VDC, perm/pipe/"J" hook mount, cast aluminum base, high dome
- L21H\*C4:** 24 VDC, perm/pipe/"J" hook mount, cast aluminum base, high dome
- L21L\*C:** 12 VDC, perm/pipe/"J" hook mount, cast aluminum base, low dome
- L21L\*C4:** 24 VDC, perm/pipe/"J" hook mount, cast aluminum base, low dome

### REPLACEMENT PARTS

**DH2000\*:** High Dome

**DL2000\*:** Low Dome

Replace asterisk (\*) in above model numbers with letter indicating color choice: A = Amber, C = Clear



Shown: Permanent Mount Beacon

Domes available in amber or clear safety colors only.

Form# L210807

© 2007 Whelen Engineering Co., Inc. Printed in U.S.A.  
Whelen Engineering reserves the right to upgrade and improve products without notice.  
\*\* Some back-up alarms are custom made for Whelen in Canada.  
NASCAR® is a registered trademark of the National Association for Stock Car Auto Racing, Inc.  
Code No. 10269A-0807



All Whelen Products  
are proudly made  
in the U.S.A. \*\*

# WHELEN®

ENGINEERING COMPANY, INC.

Route 145, Winthrop Road  
Chester, Connecticut 06412-0684  
(860) 526-9504 • Fax: (860) 526-4078  
www.whelen.com

Engineers for the Emergency Warning Industry

L21 SERIES Super-LED® BEACONS