

Alpha Siren Series

HANDS FREE 100 WATT ELECTRONIC SIREN



ALPHA12S



ALPHA12R
Remote Siren

Economy priced ALPHA Sirens deliver 100 watts of siren warning power, HANDS-FREE operation, multiple warning tones and horn ring over-ride capability.

ALPHA Sirens allow easy set-up and configuration to meet local requirements without special ordering.

FEATURES

- Perfect for undercover and volunteer applications.
- Two models: self-contained or remote.
- HANDS-FREE Operation. Cycle through two or three tones using horn or auxiliary control.
- Control siren tone through horn ring or separate switches.
- 100 Watt Output.
- Meets Class A requirements with most 100 watt speakers.
- Five siren tones available. Use up to four tones: Wail, Yelp, Piercer or Hi/Low and Air Horn.
- Output open/short circuit protection.

- Conveniently accessible dip switches on remote amplifier allows instant configuration of popular operating features.
- Space saving design, ALPHA12S is easy to install underdash, in a console or in a rack.
- Remote model, ALPHA12R, offered with five optional switch panels; will also operate from customer supplied switching controls.
- Easy to install. Pre-wired with quick disconnect plugs for easy service and fast replacement.
- 24 Month Warranty.

MODELS

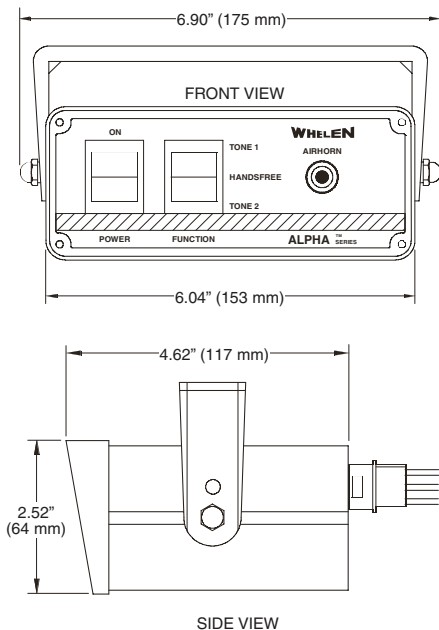
ALPHA12S: Self-contained 12 volt D.C. siren.

ALPHA12R: Remote 12 volt D.C. siren.

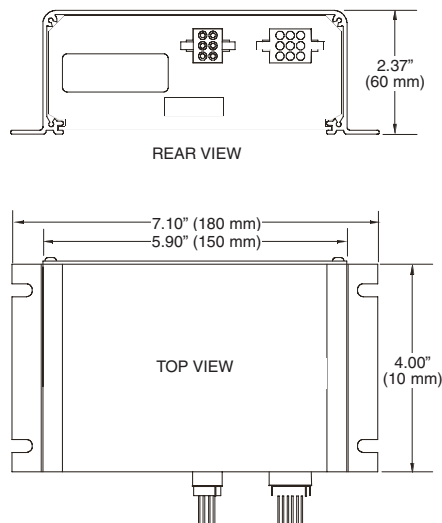
ALPHA 1, 2, 3, 4 & 5: Optional switches.

ALPHA12S/12R SPECIFICATIONS

**Model
ALPHA12S**



**Model
ALPHA12R**



**Model ALPHA12R
Switch Options**



ELECTRICAL, PHYSICAL AND ENVIRONMENTAL DATA

INPUT VOLTAGE	10-16 VDC
POLARITY	Negative ground
POLARITY PROTECTION	Diode / Fuse
OUTPUT POWER	100 Watts
OUTPUT LOAD	One 11 OHM Speaker
INPUT CURRENT(OFF)	0 ma (off)
INPUT CURRENT(SIREN ON)	8 amps (max)
STANDBY CURRENT	10 ma (max)
FUSE	10 amp auto fuse
FUSE MOUNTING	Spade type, inline connector
OUTPUT SHORT PROTECTION	Fuse
HORN / RING CONTROL	+12VDC or ground
WEIGHT (ALPHA 12S)	2.2 lbs / 1 kg
WEIGHT (ALPHA 12R)	2.4 lbs / 1.1 kg
OPERATING TEMPERATURE	-30°C TO +60°C
OPERATING HUMIDITY	0-95% Non-condensing
CONNECTOR (ALPHA 12S)	One 6 Pin AMP Mate-N-Lok®, 24" wiring pigtail
CONNECTORS (ALPHA 12R)	One 6 Pin AMP Mate-N-Lok®, 24" wiring pigtail One 9 Pin AMP Mate-N-Lok®, 24" wiring pigtail

SIREN TONES

Tone	Frequency	Sweep Rate
Wail	800Hz - 1750Hz	12 Cycles / Minute
Yelp	800Hz - 1750Hz	180 Cycles / Minute
Piercer	800Hz - 1750Hz	800 Cycles / Minute
Hi/Low*	650Hz - 1750Hz	50 Cycles / Minute
Air Horn	600Hz - 1200Hz	Composite

*Hi/Low may be substituted for Piercer Tone (optional).

ALPHA12R SWITCH OPTIONS**

- ALPHA 1** One rocker switch: Single On/Off (Tone On/Off or HANDS-FREE Operation On/Off).
- ALPHA 2** One rocker switch: Single On/Off (Tone On/Off or HANDS-FREE Operation On/Off) and momentary switch: Air Horn operation.
- ALPHA 3** One rocker switch: Tone 1/Off/Tone 2 and momentary switch: Air Horn operation.
- ALPHA 4** Two rocker switches: Siren On/Off, Tone 1/HANDS-FREE/Tone 2, and momentary switch: Air Horn Operation.
- ALPHA 5** Three position toggle switch, controls 3 siren tones and other warning lights or device functions. Contacts rated at 30 amps.

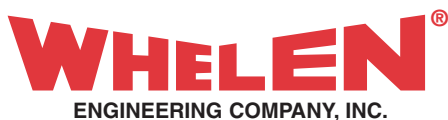
ALPHA 1-4 Switches options include "L" mounting bracket.

** Not for motorcycle use.

DIP SWITCH CONFIGURATION SELECTIONS

- In HANDS-FREE operation, choose three tone or two tone cycle.
- For tone three, choose Piercer or Hi/Low or No Tone.
- In Manual Siren, choose manual stop or coast down.
- Choose: Piercer to override Yelp or Airhorn to override Yelp.
- Choose: Yelp to override Wail (toggle Yelp/Wail) or Yelp to override Wail for 10 seconds & automatically resume wail.

Note: Selection of one function may preclude use of another function. Consult Installation and Operation Manual.



Route 145, Winthrop Road
Chester, Connecticut 06412-0684
(860) 526-9504 • Fax: (860) 526-4078
www.whelen.com



Whelen Engineering reserves the right to upgrade and improve products without notice.