



Standard SightLine console shown with mousetrap motion mount, single armrest (break-away), cup holder, 2 12V sockets

Feature	Benefit
Safety and ergonomics	<ul style="list-style-type: none"> <li>• Designed for safety, aesthetics and comfort: rounded corners, smooth surfaces and contoured edges assure occupant protection</li> <li>• Adjustable armrest positioning for increased ergonomics</li> <li>• Break-away armrest design allows for less restriction in-vehicle, in case of emergency</li> <li>• Mousetrap motion mount has built-in safety features with auto-retract function and left / right swing positioning 'lock-out' capability</li> </ul>
Aircraft-grade aluminum construction	<ul style="list-style-type: none"> <li>• Lightweight aluminum provides structural integrity, resists corrosion and reduces vibration</li> <li>• Strong and sturdy enclosure prevents vibration and allows for long-term endurance</li> <li>• Finished in high quality black epoxy powder coat for durability</li> </ul>
Modular, versatile design	<ul style="list-style-type: none"> <li>• Accessories available for application- or customer-specific requirements (see below)</li> <li>• Variety of motion mounts (tilt, swivel, fore / aft, etc.) for optimal device positioning, ease-of user access and in-vehicle safety</li> </ul>
Installation and maintenance	<ul style="list-style-type: none"> <li>• Easy to install / replace face plates with unique design elements: 1/2" increment face plate, floating nut' console rail, flexible ear plate style</li> <li>• Simple, set-up and upfitting. No drilling or permanent modification to vehicle</li> <li>• Only popular / common hand tools are required for installation and maintenance</li> </ul>

Dimensions	
Width	9.2" (23.3 cm)
Height	10.0" (25.4 cm)
Length	25.9" (65.7 cm)

Console Accessories
Single or dual cup holder
Single 'break-away' or dual armrest
Equipment-specific or blank face plate
12V socket (w/ cover)
Dual USB charging socket (w/ cover)
Armrest printer mount
Containment tray





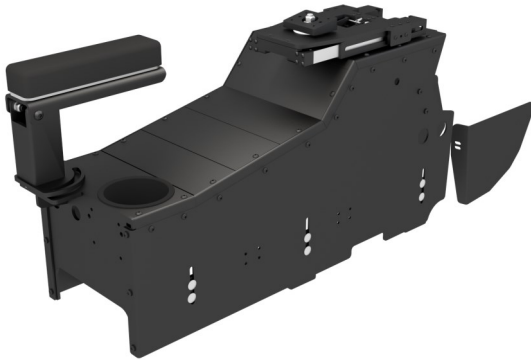
Ford Police Interceptor Sedan console shown with mousetrap motion mount, single armrest (break-away), cup holder, 2 12V sockets

Feature	Benefit
Safety and ergonomics	<ul style="list-style-type: none"> <li>• Designed for safety, aesthetics and comfort: rounded corners, smooth surfaces and contoured edges assure occupant protection</li> <li>• Adjustable armrest positioning for increased ergonomics</li> <li>• Break-away armrest design allows for less restriction in-vehicle, in case of emergency</li> <li>• Mousetrap motion mount has built-in safety features with auto-retract function and left / right swing positioning 'lock-out' capability</li> </ul>
Aircraft-grade aluminum construction	<ul style="list-style-type: none"> <li>• Lightweight aluminum provides structural integrity, resists corrosion and reduces vibration</li> <li>• Strong and sturdy enclosure prevents vibration and allows for long-term endurance</li> <li>• Finished in high quality black epoxy powder coat for durability</li> </ul>
Modular, versatile design	<ul style="list-style-type: none"> <li>• Accessories available for application- or customer-specific requirements (see below)</li> <li>• Variety of motion mounts (tilt, swivel, fore / aft, etc.) for optimal device positioning, ease-of user access and in-vehicle safety</li> </ul>
Installation and maintenance	<ul style="list-style-type: none"> <li>• Easy to install / replace face plates with unique design elements: 1/2" increment face plate, floating nut' console rail, flexible ear plate style</li> <li>• Simple, set-up and upfitting. No drilling or permanent modification to vehicle</li> <li>• Only popular / common hand tools are required for installation and maintenance</li> </ul>

Dimensions	
Width	9.2" (23.3 cm)
Height	9.5" (24.1 cm)
Length	30.0" (76.2 cm)

Console Accessories
Single or dual cup holder
Single 'break-away' or dual armrest
Equipment-specific or blank face plate
12V socket (w/ cover)
Dual USB charging socket (w/ cover)
Armrest printer mount
Containment tray





Ford Police Interceptor Utility console shown with mousetrap motion mount, single armrest (break-away), cup holder, 2 12V sockets

Feature	Benefit
Safety and ergonomics	<ul style="list-style-type: none"> <li>Designed for safety, aesthetics and comfort: rounded corners, smooth surfaces and contoured edges assure occupant protection</li> <li>Adjustable armrest positioning for increased ergonomics</li> <li>Break-away armrest design allows for less restriction in-vehicle, in case of emergency</li> <li>Mousetrap motion mount has built-in safety features with auto-retract function and left / right swing positioning 'lock-out' capability</li> </ul>
Aircraft-grade aluminum construction	<ul style="list-style-type: none"> <li>Lightweight aluminum provides structural integrity, resists corrosion and reduces vibration</li> <li>Strong and sturdy enclosure prevents vibration and allows for long-term endurance</li> <li>Finished in high quality black epoxy powder coat for durability</li> </ul>
Modular, versatile design	<ul style="list-style-type: none"> <li>Accessories available for application- or customer-specific requirements (see below)</li> <li>Variety of motion mounts (tilt, swivel, fore / aft, etc.) for optimal device positioning, ease-of user access and in-vehicle safety</li> </ul>
Installation and maintenance	<ul style="list-style-type: none"> <li>Easy to install / replace face plates with unique design elements: 1/2" increment face plate, floating nut console rail, flexible ear plate style</li> <li>Simple, set-up and upfitting. No drilling or permanent modification to vehicle</li> <li>Only popular / common hand tools are required for installation and maintenance</li> </ul>

Dimensions	
Width	9.2" (23.3 cm)
Height	13.4" (34.0 cm)
Length	27.1" (68.8 cm)

Console Accessories
Single or dual cup holder
Single 'break-away' or dual armrest
Equipment-specific or blank face plate
12V socket (w/ cover)
Dual USB charging socket (w/ cover)
Armrest printer mount
Containment tray

